

5.2: VIGILON COMPACT FIRE DETECTION

Repeat Panel

GENT

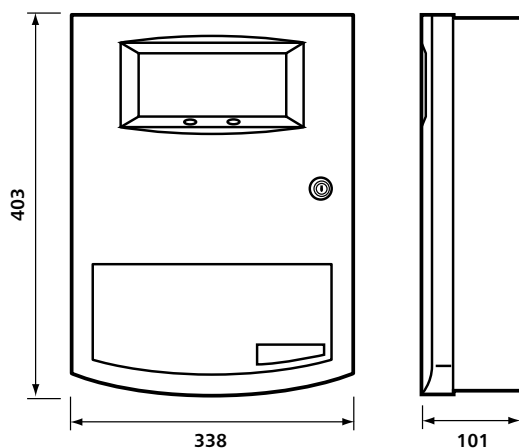
by Honeywell



Vigilon Repeat Panel

TECHNICAL SPECIFICATION	
Type	Repeat panel
Max No per Loop	4
Loop Capacity	N/A
Batteries	12V @ 7Ah
Battery Standby	24 hours standby + 30 minutes alarm, upgradeable to 72 hours standby + 30 minutes alarm
Approx Weight	9 Kg
Operating Temperature	0°C to 45°C
Relevant Standard	EN54
Cable Entry	Top and rear knockins

Dimensions (mm)



ORDER CODES

Repeat Panel VIG-RPT

Repeat panels
require a first fix VIG-RPT-1ST-FIX

Stainless steel door VIG-RPT-DOOR-SS

Stainless steel flush frame COMPACT-FLUSH-SS

NOTE: For existing systems to BS 5839, compatible panels are still available for expansion. Contact Gent for details.