

**GENT**  
by Honeywell

## 4: CONVENTIONAL FIRE DETECTION

# Door Release

To ensure fire doors close in an emergency and prevent the spread of fire and smoke.

Moulded ABS and steel enclosure capable of floor or wall mounting.

Complies with BS 5839-3.

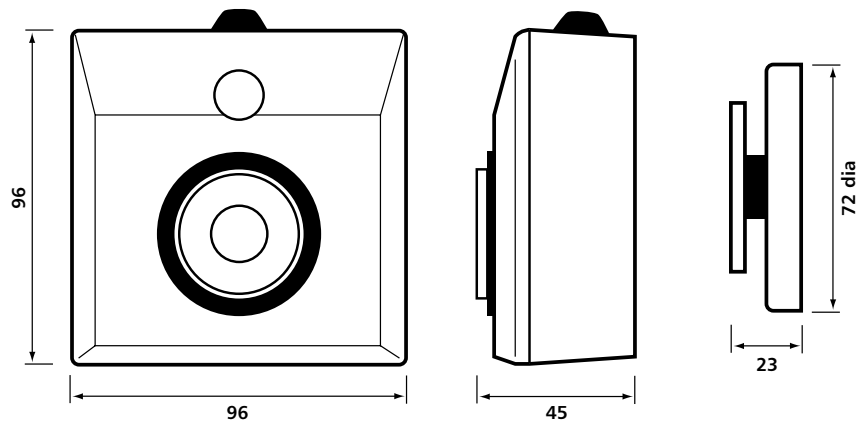


Door Holder

| TECHNICAL SPECIFICATION |  |              |               |
|-------------------------|--|--------------|---------------|
|                         | Wall Mounted                             | Wall Mounted | Floor Mounted |
| Type                    | 24V dc                                   | 230V ac      | 24V dc        |
| Approx Weight           | Door plate, 0.07 Kg Door holder, 0.53 Kg |              |               |
| Current Consumption     | 21mA                                     | 12mA         | 45mA          |
| Operating Temperature   | Indoor/Outdoor, -10°C to + 50°C          |              |               |
| Nominal Magnetic Pull   | 112 Newton                               |              | 200 Newton    |
| Relevant Standard       | BS 5839- 3                               |              |               |
| Finish                  | Moulded ABS                              |              |               |

4

Dimensions (mm)



### ORDER CODES

|                           |          |
|---------------------------|----------|
| 24V dc Door Holder        |          |
| c/w door plate            | 04390-31 |
| 230V ac Door Holder       |          |
| c/w door plate            | 04390-55 |
| Door Holder Floor Plate   | 04390-92 |
| 24V dc Relay              | 19107-52 |
| Door Holder Floor Mounted | 04390-41 |