

## 4: CONVENTIONAL FIRE DETECTION

## Relays

# GENT

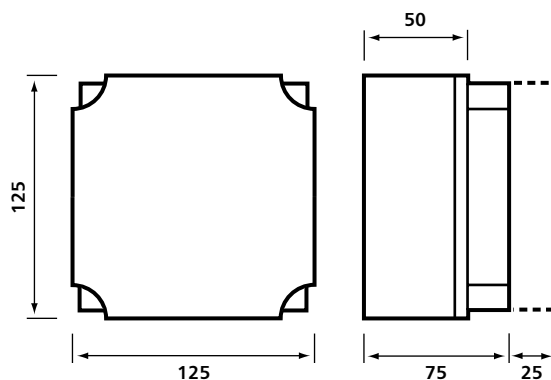
by Honeywell



Low Profile Enclosure

TECHNICAL SPECIFICATION	
Coil Voltage	24V dc
Coil Current	50mA
Contact Rating 240V ac	6A
Contact Rating 24V dc	5A
Profile	High
Max. Capacity	4 mini relays
Ingress Protection	IP67
Operating Temperature	Indoor/Outdoor, 0 - 40°C

## Dimensions (mm)



Relay enclosure to house applications involving switching and timers.

All purpose polycarbonate construction.

Suitable for activating class change or 'start work' signals.

## ORDER CODES

24V dc Relay c/w enclosure	19107-52
High Profile Enclosure	19100-02
24V dc Relay	19104-52
24V dc Timer	19106-02