

6: VIGILON LOOP DEVICES

Sensor Ancillaries

GENT

by Honeywell



T-Breaker

T - Breaker

Used to provide a spur from the addressable loop.

Slave Relay

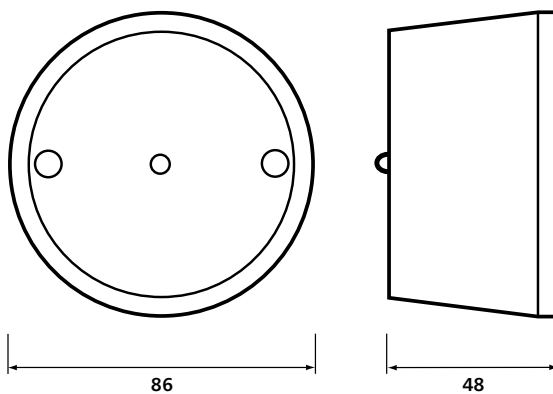
Located on the addressable loop, it will operate when the sensor it is connected to detects a fire condition.

Remote LED driver output exists from every S-Quad detector.

Alternatively, indicators can be connected on the loop to mimic the next device on the loop.

TECHNICAL SPECIFICATION			
Type	T-Breaker	Remote LED	Slave Relay
Max Quantity per Loop	200	100	100
Approx Weight	0.35Kg	0.34Kg	0.36Kg
Operating Temperature	-10°C to +50°C		
Ingress Protection	IP40		
Device Load Factor	1		

Dimensions (mm)

**ORDER CODES**

T-Breaker	34701
Remote LED	13449-01
Slave Relay	34703
Remote LED (with S-Quad)	13449-01