

Section 8.2:

GENT
by Honeywell

Vigilon Compact Voice Alarm System



8.2: VIGILON COMPACT VOICE ALARM SYSTEM

Vigilon Compact Voice System

GENT
by Honeywell

An industry first

Vigilon Compact Voice is the new integrated fire detection, voice alarm and public address system from Gent – an innovation that combines the analogue addressable fire detection and alarm functionality of Gent's proven Vigilon Compact system with the very latest voice alarm and public address (VA/PA) technology.

The Vigilon Compact fire and voice alarm control panel drives one or two loops of fire detection and alarm devices and a number of loop powered distributed amplifier units (DAUs). A separate fault tolerant audio loop carries the live announcements for emergency situations and public address. The control panel has a built in emergency microphone and is able to accept inputs from a PA paging microphone and a background music source, e.g. CD player.

Life Safety First

- The Vigilon Compact Voice system delivers clear, intelligible voice alarm messages.
- Vigilon Compact Analogue Addressable fire detection and alarm technology ensures reliable and constant life safety protection for both people and property.
- Research* shows only 13% of people react to bells, whilst 70% react to a voice message.
- Orderly phased evacuation in the event of a fire or other hazards through loudspeaker messages in relevant zones and live emergency messages relayed via the panel's built in microphone.

Increased operational efficiency

- Routine paging functionality provides an effective public address system.
- An on board emergency microphone is fitted into the control panel.

Improved building comfort

- Enhances environments with CD quality background music around the building as required.

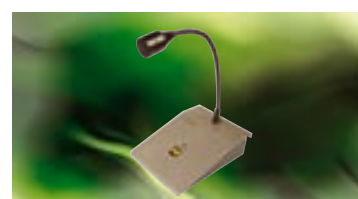
System integrity

- Control and indicating equipment designed to EN54-2 & 4 and BS5839-8
- All devices powered directly from the same two wires, including the DAUs.
- Only one panel required to control both fire and voice.
- Smallest DAU available in the marketplace.
- Delivers highest levels of system integrity and clear, high quality sound.

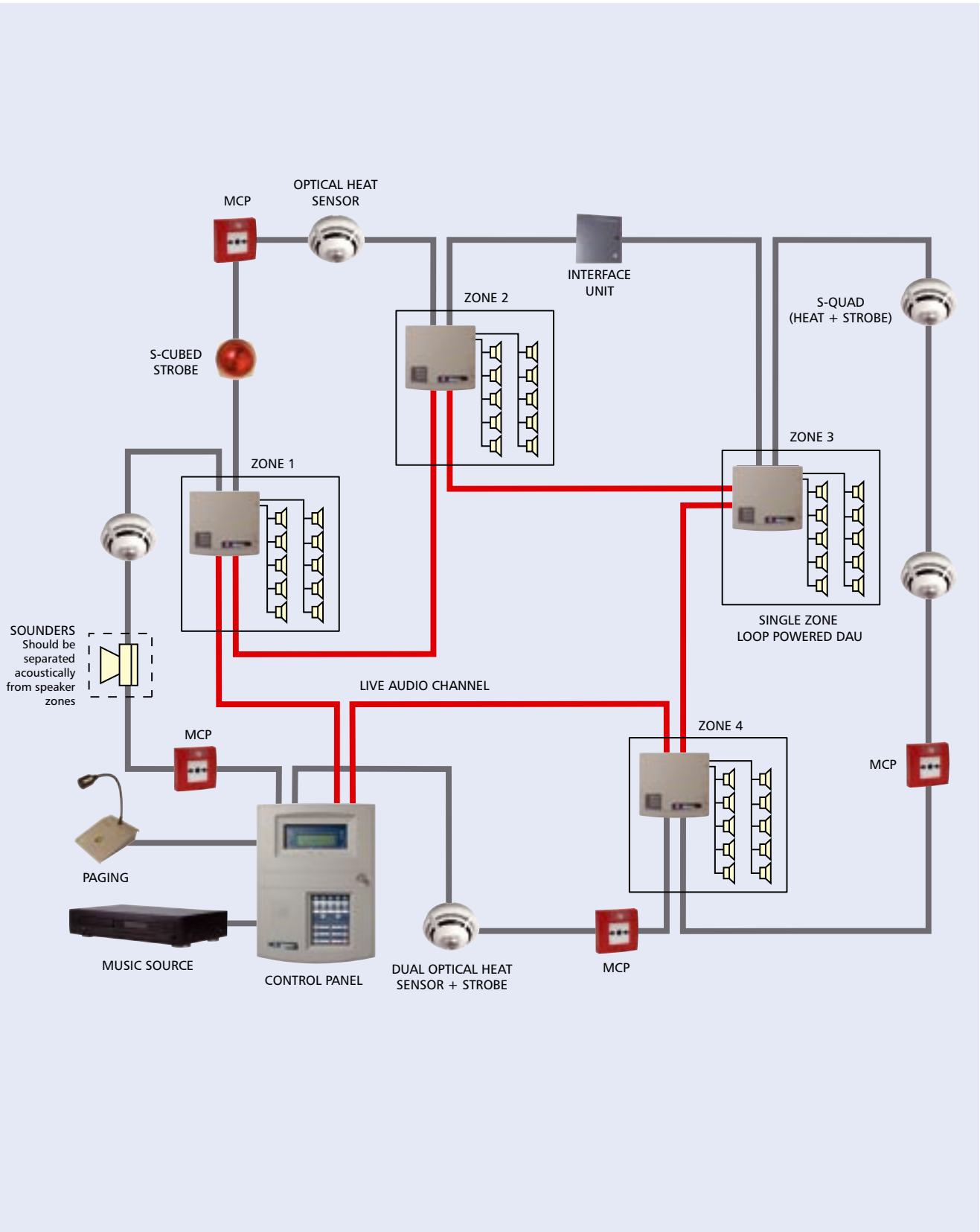
Fire and VA/PA System...at no extra cost!

- Paging capability.
- Plays music in selected areas.
- Provides emergency and non-emergency messages.
- Operates during mains failure.
- Live message facility, routine paging announcements and advertising background music enhances all environments.

* Sources: Brian Piggot (*The Fire Research Station*) and David Canter (*Surrey University*).



8.2: VIGILON COMPACT VOICE ALARM SYSTEM System Architecture



8.2: VIGILON COMPACT VOICE ALARM

GENT
by Honeywell

10 reasons to specify Vigilon Compact Voice

1 An industry first Combined FDA and VAVPA providing the highest levels of system integrity, with proven Vigilon technology including built-in isolators in all devices

2 Safe evacuation for everyone in the building High quality intelligible voice messages reduce confusion and panic

3 Savings on installation costs compared with conventional voice alarm systems Loop powered DAUs do not require secondary mains or battery supplies and reduce length of speaker circuits.

4 Reliable system compatibility Proven Vigilon system technology with speakers individually monitored and designed to meet the requirements of BS 5839-8.

5 Highly flexible software allows on-site configuration Additional DAUs can be easily accommodated with flexible message changes selected from the standard Audio Pack.

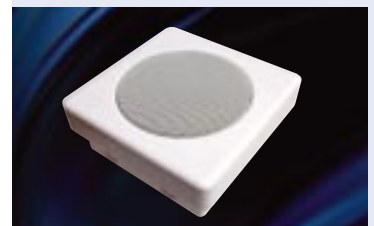
6 Reduction in on-going costs Innovative 'off the shelf' technology requiring only one person testing the system, which can also be maintained at standard competitive rates.

7 Free extras A fire alarm system offering VAVPA benefits or vice versa.

8 True analogue time comparison sensors for false alarm reduction The very latest S-Quad sensors are fully compatible with Vigilon Compact Voice for the ultimate system specification.

9 The reassurance of GENT support Designed and manufactured by the UK's life safety specialists with unrivalled expertise and technical support capabilities.

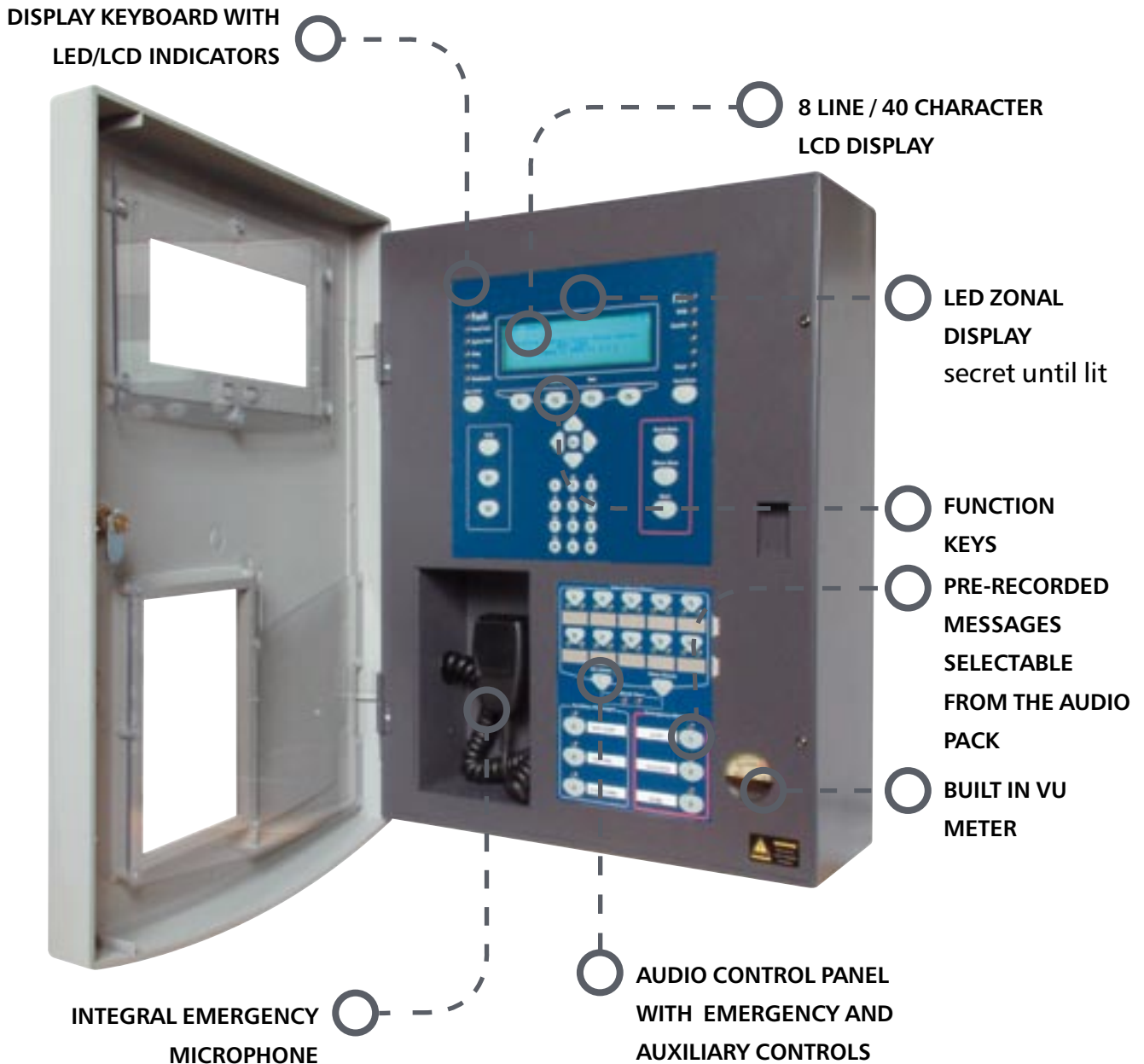
10 Fully compliant with relevant industry standards GENT are LPCB approved for both systems and products and Vigilon Compact Voice is designed to comply with BS/EN standards.



GENT
by Honeywell

8.2: VIGILON COMPACT VOICE ALARM SYSTEM

Vigilon Compact Voice System Features



- Each loop powered DAU can drive up to ten loudspeakers wired as A + B circuits – 5 per circuit
- Two detection loops with up to 10 DAUs driving a maximum of 100 speakers
- DAUs can be 'zoned' in software and isolators in every DAU protect against short circuits
- Speakers are individually monitored, including the wiring
- Volume level can be set via commissioning tool or by infra-red remote control key fob
- Integral power supply and battery backup
- Comprehensive fault management
- Built-in history log stores the last 200 events, which can be accessed via the integral keyboard and printed via an external printer
- External audio input facilities for PA and background music
- Configurable relay output at the DAU